

GRANADA MESH BACK



SUPPLY • REPAIR • RENEW

Functions



Three-position lock
synchro mechanism



Adjustable headrest



2D arm



Soft height adjustable lumbar

Selling points

① Headrest is optional

It is easy to change from medium back to high back.



② 3D arm is optional



Functions:

Original

① Height adjustment

② Pad sliding forward and backward

Add---③ Width adjustment

③ Sliding seat is optional



GRANADA WITH HEADREST SPECIFICATIONS (149910)



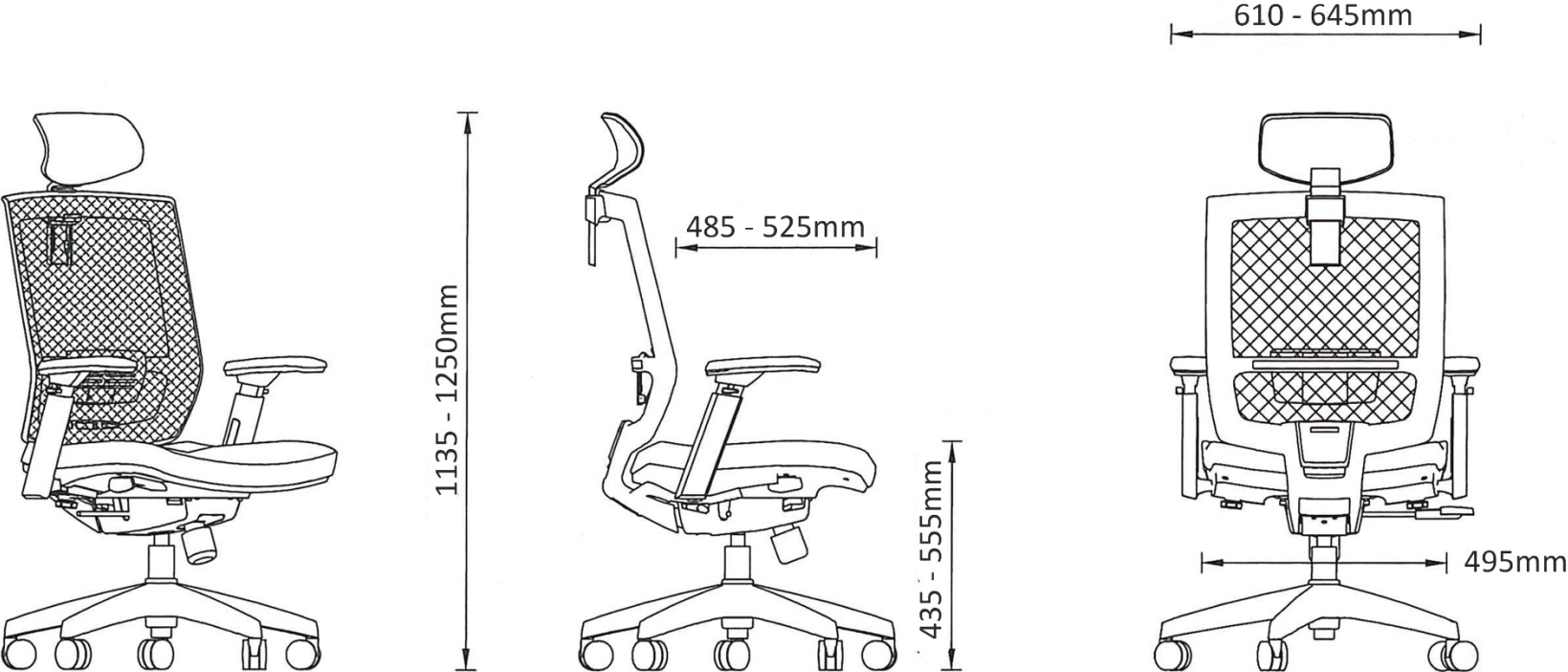
	PART	MATERIAL AND SPECS.	REMARK
1	HEADREST FOAM	MOULDED FOAM	Crib 5
2	HEADREST UPHOLSTERY	TAI WAN FUCHI FABRIC (Polyester)	Crib 5
3	HEADREST BRACKET	PA+GF	
4	BACK MESH	KOREA WINTEX	Crib 5
5	BACK FRAME	PA+GF	
6	INNER BACK	PP+GF	
7	LUMBAR	PP+CUSHION	HEIGHT ADJUSTABLE
8	ARM	PA+GF, PVC PAD	3D
9	SEAT FOAM	MOULDED FOAM	T=6cm, Density=50, hardness=55, Crib 5
10	SEAT UPHOLSTERY	TAI WAN FUCHI FABRIC (Polyester)	Crib 5
11	SEAT PLYWOOD	PLYWOOD	T=15mm
12	SEAT SHROUD	PP+GF	WITH SLIDER
13	MECHANISM	THREE POSITION LOCK, SYNCHRO	
14	MECHANISM COVER	PP	
15	GAS LIFT	120/60(CLASS 3)	
16	BASE	350MM, PA+GF	
17	CASTOR	60/25 PA	

GRANADA SPECIFICATIONS (149915)



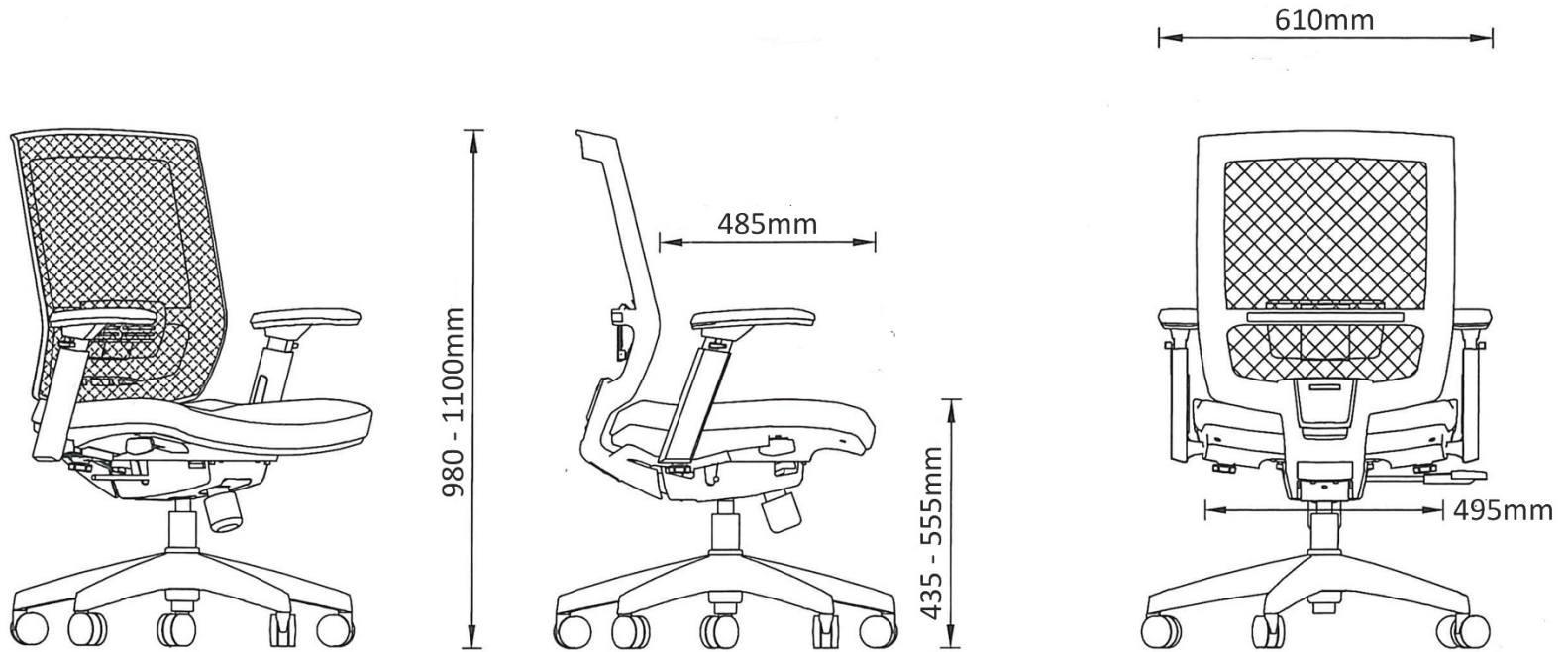
	PART	MATERIAL AND SPECS.	REMARK
1	BACK MESH	KOREA WINTEX	Crib 5
2	BACK FRAME	PA+GF	
3	INNER BACK	PP+GF	
4	LUMBAR	PP+CUSHION	HEIGHT ADJUSTABLE
5	ARM	PA+GF, PVC PAD	2D
6	SEAT FOAM	MOULDED FOAM	T=6cm, Density=50, hardness=55, Crib 5
7	SEAT UPHOLSTERY	TAI WAN FUCHI FABRIC (Polyester)	Crib 5
8	SEAT PLYWOOD	PLYWOOD	T=15mm
9	SEAT SHROUD	PP+GF	
10	MECHANISM	THREE POSITION LOCK, AUTO-BALANCE	
11	GAS LIFT	120/60 (CLASS 3)	
12	BASE	350MM, PA+GF	
13	CASTOR	60/25 PA	

GRANADA WITH HEADREST DIMENSIONS (149910)



N.W./G.W. 18KGS/20KGS

GRANADA DIMENSIONS (149915)



N.W./G.W.:16KGS/18KGS

MESH TECHNICAL SPECIFICATIONS

ITEM	IS20D
WEIGHT	520g/yard
WIDTH	64 inch
COMPOSITION	Polyester + Poly elastomeric
ABRASION RESISTANCE	WEFT: over 100,000 cycles WARP: over 100,000 cycles
COLORFASTNESS	AATCC 8 – Grade 4.5 / Colorfastness to Dry Rubbing AATCC 8 – Grade 4.5 / Colorfastness to Wet Rubbing AATCC1 16 – Grade 4.5 / Colorfastness to Light (100 HOURS EXPOSURE)
FLAME RESISTANCE	BS5852

FABRIC TECHNICAL SPECIFICATIONS

ITEM	SV280A
WEIGHT	330g/yard
WIDTH	150cm
COMPOSITION	Polyester
ABRASION RESISTANCE	ASTMD 4966-2004 ENDPOINTS: 66,000 cycles
TENSILE STRENGTH	WARP: 23.1N WEFT: 25.7N
COLORFASTNESS	Stain: Grade 5 & Fading: Grade 4-5 / Colorfastness to Dry Rubbing Stain: Grade 4 & Fading: Grade 4-5 / Colorfastness to Wet Rubbing Grade 4 / Colorfastness to Light
FLAME RESISTANCE	BS5852

Unit 1 Silverend IE
Wedgebury Way
Brierley Hill
West Midlands
DY5 3JT



T +44 (0) 1384 480030
E sales@chairclinic.co.uk
www.chairclinic.co.uk